

EUROFLOTM
where innovation flows



**Horizontal Axially
Split Casing Pumps**

ESC*series*



www.euroflopumps.com

Coding System

e.g. **ESC 250/52 M BC**

XXXX XXX/XXX X XX

Series

ESC = Spilt Casing Pump

ESC(V) = Vertical Double Suction Centrifugal Pump

Pump Suction Diameter

Duty Point Head

Seal type

M = Alloy - Alloy/NBR

M1 = Carbon - Ceramic/Viton (Optional)

P = Gland Packing

M2 = Carbon - SiC/Viton (Optional)

M3 = Carbon - SiC/EPDM (Optional)

M4 = Cartridge Mechanical Seals (optional)

Impeller/body casing material

BC = Bronze impeller and Cast Iron Body

SS = SS304 impeller and Body

BD = Bronze impeller and Ductile Iron Body

SC = SS304 impeller and Cast Iron Body

BB = Bronze impeller and Body

DC = Ductile Iron impeller and Cast Iron Body

CC = Cast Iron impeller and Body

DD = Ductile Iron impeller and Body

CD = Cast Iron impeller and Ductile Iron Body

QQ = Duplex Stainless Steel impeller and Body

KK = SS316 impeller and Body

WW = Carbon Steel impeller and Body

KC = SS316 impeller and Cast Iron Body

Introduction



ESC series are Horizontal Split casing, Single stage, Double suction impeller with in-between bearing design, allows pumps run quietly and with minimal vibration. Coupled with dynamically balanced impeller the pumps life is greatly prolonged and therefore, increase MTBF (Mean Time Between Failure). This allows the pump to be mounted Horizontally and also, vertically to save spaces.

Flange: DIN 2501 FF (std)
ANSI B16.5B (optional)
Materials: Cast Iron, Ductile Iron,
Stainless Steel
Mounting: - Bare Shaft
- Engine Driven

Application:

- HVAC and Cooling Tower
- Municipal Water Supply
- Marine and Ship Building
- Power Plant
- Irrigation and agriculture
- Fire Fighting

DN 50 - 1,000
Q 18,000m³/hr
O.P. up to 25bar
H 150m; up to 180m (optional)
Ns up to 3,600rpm
t up to 105°C

Construational Features

Design Construction

ESC series pump is single stage, double suction, axial split casing centrifugal pumps. Both Horizontal and vertical mounting is possible. The design allows for change of rotation and position of the motor to suit in stallation requirement at site without extra or changed of components to the existing pump.

Casing

Heavy Duty construction with high inner wall finishes to increase efficiency and reduce turbulences. The integrated foot on the suction allow for rigidity and absorb external forces, yet allows user with ease of removing the rotating assembly without disconnecting the pipes and motor for maintenances and routine inspection of Seals and wear rings.

Impeller

The double suction, Francis vane design allow for hydratically balanced operation, low NPSH (required) and reduces radial loan that helps to prolong bearing seals and shaft life.

Shaft

Machined with large shaft diameter to resist deflection and grounded to size for consistency enable smooth in stallation of seals and bearing without damage and adjustment. Carbon steel (C45) material is standard with option for Stainless steel upon request.

Shaft Sleeve

Replaceable sleeve enable one to select different material for different application and needs. Saving money and time for the user from replacing shaft due to erosion and wear.

Wear ring

Eliminate casing wear and permit easy maintenance of proper running clearances for maximum efficiency through out pumps operation. Positively locked in place to prevent rotation during pump operation.

Stuffing box

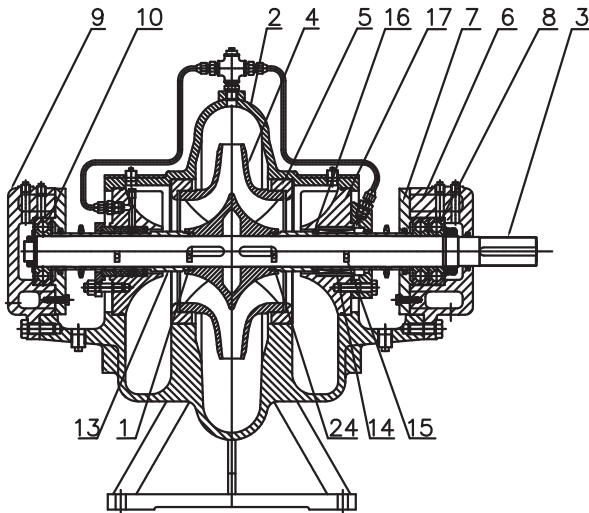
Designed with large cavity for excellent heat dissipation and "no dead ends" to remove debris that may jam the seals, coupled with abilities to have different flushing plans, to further enhances cooling and dirt removal. Available, with Packing and Mechanical Seals of different material.

Bearing housing

Designed for maximum heat dissipation, it allows operation up to 130°C without extra cooling. The machined registered housing gives rigidity and accurate alignment during dismantling and assembly for maintenance. Coupled with double deep grooved ball bearing for horizontal mounting and Double Angular contact bearing for vertical mounting on the driver end, the B10 life is greatly improved. Additionally, provision of grease nipple for re-greasing and temperature detecting probe socket.

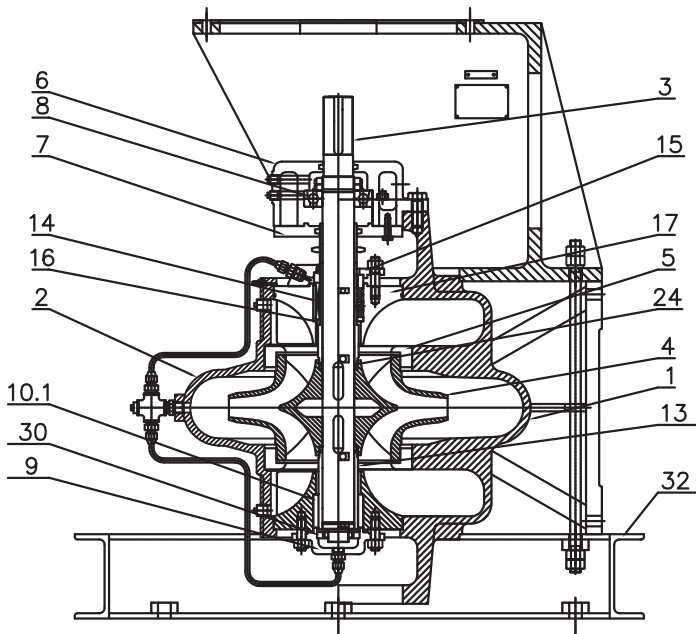
ESC/ESCV - Sectional drawings

ESC - Part materials



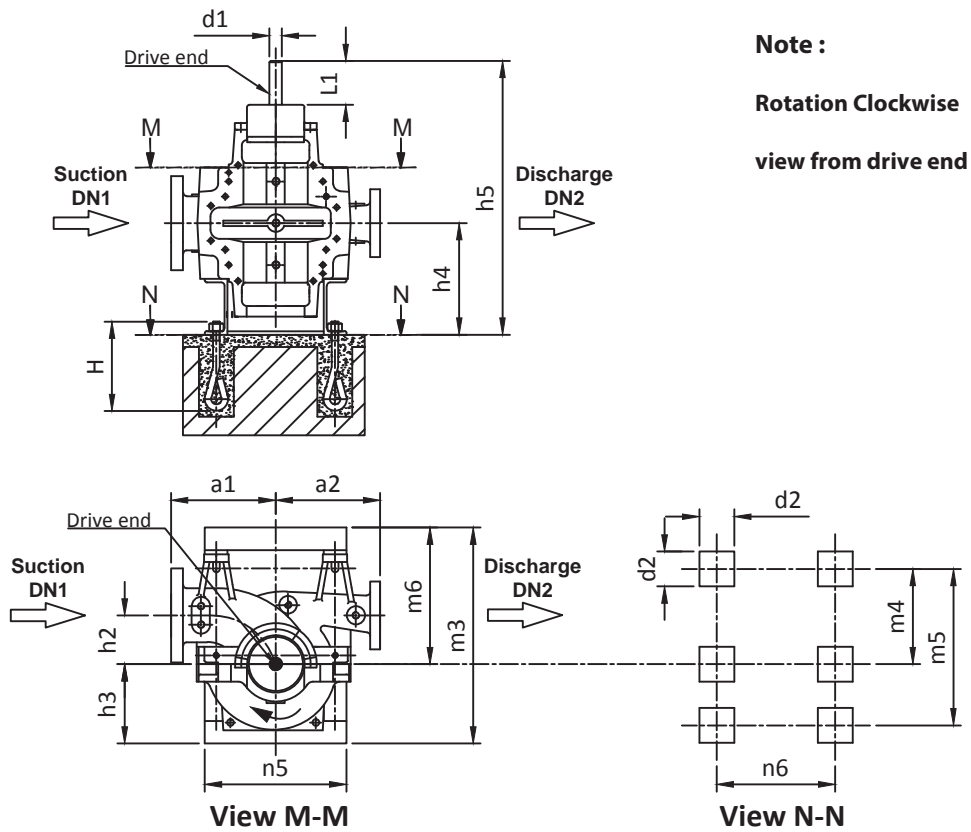
| Item | Description | Material Design | | | | | | |
|------|---|-----------------|--------|------------|--------|--------|--------------|--------------|
| | | CC | DC | BC | SC | DD | SS | WW |
| 1 | Casing - Bottom | GG 25 | | | GGG 40 | SS 304 | Carbon Steel | |
| 2 | Casing - Top | GG 25 | | | GGG 40 | SS 304 | Carbon Steel | |
| 3 | Shaft | SUS 420 | | | | | | |
| 4 | Impeller | GG 25 | GGG 40 | G-CuSn10Zn | SS 304 | GGG 40 | SS 304 | Carbon Steel |
| 5 | Wear Ring | GG 25 | | | GGG 40 | SS 304 | Carbon Steel | |
| 6 | Bearing Housing - Drive End | GG 25 | | | | | | |
| 7 | Bearing Housing Cover - Drive End | GG 25 | | | | | | |
| 8 | Ball Bearing - Drive End | GG 25 | | | | | | |
| 9 | Bearing Housing - Non Drive End | GG 25 | | | | | | |
| 10 | Ball Bearing - Non Drive End | Steel | | | | | | |
| 13 | Sleeves | SUS 420 | | | | SS 304 | SUS 420 | |
| 14 | Mech Seal or Soft packing (14.1 - 14.3) | | | | | | | |
| 14.1 | Gland * | Gland Packing | | | | | | |
| 14.2 | Lantern Ring * | GG 25 | | | | SS 304 | Carbon Steel | |
| 14.3 | Neck Ring * | GG 25 | | | | SS 304 | Carbon Steel | |
| 15 | Seal Plate with Plan 11 Flushing | GG 25 | | | | SS 304 | Carbon Steel | |
| 16 | Sleeves spacer - For mech seal | GG 25 | GGG 40 | GG 25 | GGG 40 | SS 304 | Carbon Steel | |
| 17 | Seal Chamber with Plan 01 flushing | GG 25 | GGG 40 | GG 25 | GGG 40 | SS 304 | Carbon Steel | |
| 24 | Impeller and Sleeve O-ring | NBR | | | | | | |

ESCV - Part materials



| Item | Description | Material Design | | | | | | |
|------|---|---------------------|--------|------------|--------|--------|--------------|--------------|
| | | CC | DC | BC | SC | DD | SS | WW |
| 1 | Casing - Bottom | GG 25 | | | GGG 40 | SS 304 | Carbon Steel | |
| 2 | Casing - Top | GG 25 | | | GGG 40 | SS 304 | Carbon Steel | |
| 3 | Shaft | SUS 420 | | | | | | |
| 4 | Impeller | GG 25 | GGG 40 | G-CuSn10Zn | SS 304 | GGG 40 | SS 304 | Carbon Steel |
| 5 | Wear Ring | GG 25 | | | GGG 40 | SS 304 | Carbon Steel | |
| 6 | Bearing Housing - Drive End | GG 25 | | | | | | |
| 7 | Bearing Housing Cover - Drive End | GG 25 | | | | | | |
| 8 | Ball Bearing - Drive End | GG 25 | | | | | | |
| 9 | Bearing Housing - non Drive End | GG 25 | | | | | | |
| 10 | Ball Bearing - non Drive End | Steel | | | | | | |
| 10.1 | Bushing | Engineering Plastic | | | | | | |
| 13 | Sleeves | SUS 420 | | | | SS 304 | SUS 420 | |
| 14 | Mech Seal or Soft packing (14.1 - 14.3) | | | | | | | |
| 14.1 | Gland * | Gland Packing | | | | | | |
| 14.2 | Lantern Ring * | GG 25 | | | | SS 304 | Carbon Steel | |
| 14.3 | Neck Ring * | GG 25 | | | | SS 304 | Carbon Steel | |
| 15 | Seal Plate with Plan 11 Flushing | GG 25 | | | | SS 304 | Carbon Steel | |
| 16 | Sleeves spacer - for mech seal | GG 25 | GGG 40 | GG 25 | GGG 40 | SS 304 | Carbon Steel | |
| 17 | Seal Chamber with Plan 01 flushing | GG 25 | GGG 40 | GG 25 | GGG 40 | SS 304 | Carbon Steel | |
| 24 | Impeller and Sleeve O-ring | NBR | | | | | | |
| 30 | Bushing Locknut | Steel | | | | | | |
| 32 | Base | Steel | | | | | | |

ESCV - Outline Dimension Drawing (without base plate)



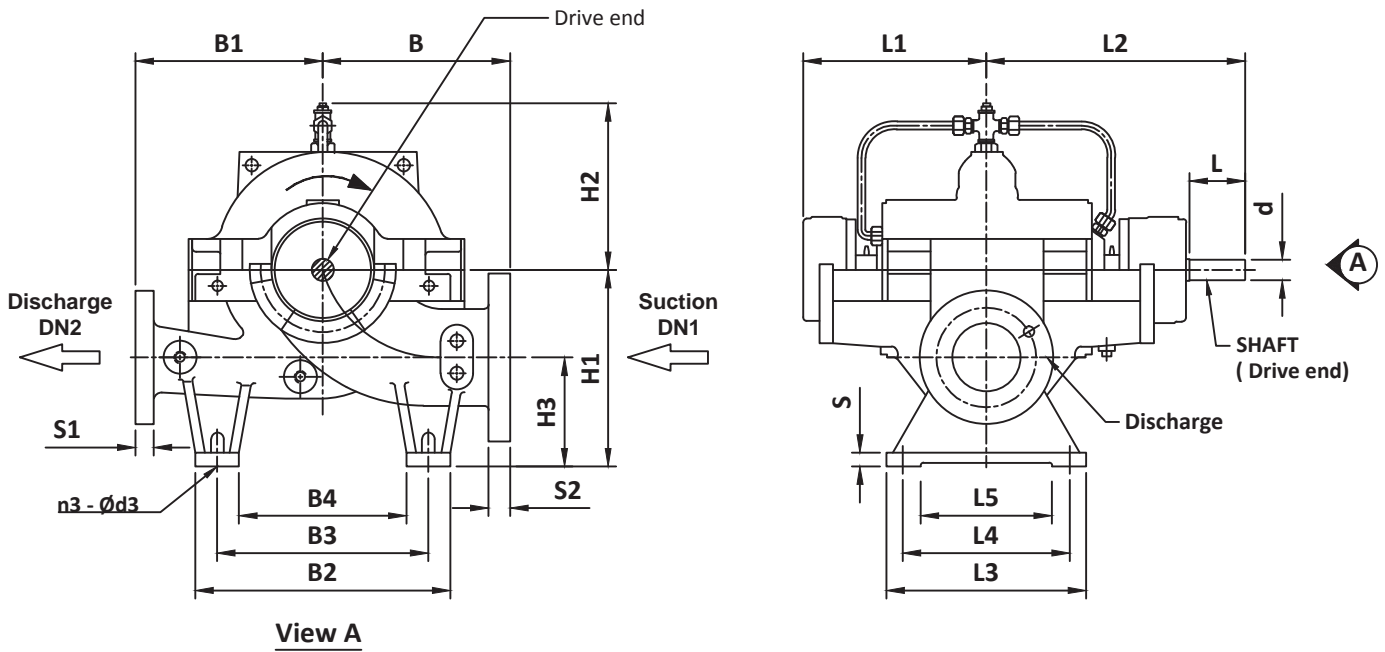
ESCV - Installation Dimension (without base plate)

| Pump Size | Flange | | Dimension | | | | | | | | | | Shaft | | | Weight | | | |
|---------------|--------|-----|-----------|-----|-----|-----|-----|------|------|-----|------|-----|-------|------|-----|--------|-----|-----|------|
| | DN1 | DN2 | a1 | a2 | h2 | h3 | h4 | h5 | m3 | m4 | m5 | m6 | d2 | n5 | n6 | d1 | L | H | KG |
| ESC(V)125-14 | 125 | 80 | 300 | 300 | 140 | 190 | 320 | 735 | 620 | 275 | 335 | 392 | 100 | 406 | 340 | 35 | 70 | 400 | 215 |
| ESC(V)125-55 | 125 | 80 | 300 | 300 | 140 | 190 | 320 | 735 | 620 | 275 | 335 | 392 | 100 | 406 | 340 | 35 | 70 | 400 | 225 |
| ESC(V)125-90 | 125 | 80 | 300 | 300 | 140 | 190 | 320 | 735 | 620 | 275 | 335 | 392 | 100 | 406 | 340 | 35 | 70 | 400 | 245 |
| ESC(V)125-22 | 125 | 80 | 300 | 300 | 140 | 190 | 320 | 735 | 620 | 275 | 335 | 392 | 100 | 406 | 340 | 35 | 70 | 400 | 245 |
| ESC(V)125-39 | 125 | 80 | 330 | 330 | 140 | 225 | 320 | 735 | 620 | 275 | 335 | 392 | 100 | 406 | 340 | 35 | 70 | 400 | 245 |
| ESC(V)125-75 | 150 | 100 | 330 | 330 | 170 | 195 | 320 | 735 | 695 | 315 | 408 | 432 | 100 | 466 | 400 | 35 | 70 | 400 | 270 |
| ESC(V)125-19 | 150 | 100 | 330 | 330 | 170 | 195 | 320 | 735 | 695 | 315 | 408 | 432 | 100 | 466 | 400 | 35 | 70 | 400 | 270 |
| ESC(V)150-123 | 150 | 100 | 330 | 330 | 170 | 225 | 355 | 870 | 695 | 315 | 408 | 432 | 100 | 466 | 400 | 45 | 100 | 400 | 290 |
| ESC(V)150-31 | 150 | 100 | 330 | 330 | 170 | 225 | 355 | 870 | 695 | 315 | 408 | 432 | 100 | 466 | 400 | 45 | 100 | 400 | 290 |
| ESC(V)150-52 | 150 | 100 | 370 | 370 | 170 | 260 | 320 | 735 | 695 | 315 | 408 | 430 | 100 | 466 | 400 | 35 | 70 | 400 | 320 |
| ESC(V)200-59 | 200 | 125 | 370 | 370 | 200 | 210 | 355 | 870 | 855 | 360 | 570 | 475 | 100 | 486 | 450 | 45 | 100 | 400 | 350 |
| ESC(V)200-14 | 200 | 125 | 370 | 370 | 200 | 210 | 355 | 870 | 855 | 360 | 570 | 475 | 100 | 486 | 450 | 45 | 100 | 400 | 350 |
| ESC(V)200-108 | 200 | 125 | 370 | 370 | 200 | 230 | 355 | 870 | 855 | 360 | 570 | 475 | 100 | 486 | 450 | 45 | 100 | 400 | 380 |
| ESC(V)200-27 | 200 | 125 | 370 | 370 | 200 | 230 | 355 | 870 | 855 | 360 | 570 | 475 | 100 | 486 | 450 | 45 | 100 | 400 | 380 |
| ESC(V)200-47 | 200 | 125 | 370 | 370 | 200 | 260 | 355 | 870 | 855 | 360 | 570 | 475 | 100 | 486 | 450 | 45 | 100 | 400 | 410 |
| ESC(V)200-76 | 200 | 125 | 450 | 450 | 200 | 305 | 355 | 870 | 855 | 353 | 570 | 468 | 100 | 610 | 560 | 45 | 100 | 400 | 460 |
| ESC(V)200-21 | 200 | 150 | 400 | 400 | 200 | 245 | 355 | 870 | 855 | 360 | 570 | 475 | 100 | 486 | 450 | 45 | 100 | 400 | 460 |
| ESC(V)200-38 | 200 | 150 | 400 | 400 | 200 | 275 | 355 | 870 | 855 | 360 | 570 | 475 | 100 | 486 | 450 | 45 | 100 | 400 | 480 |
| ESC(V)200-66 | 200 | 150 | 450 | 450 | 200 | 300 | 400 | 990 | 1080 | 450 | 780 | 580 | 100 | 606 | 560 | 55 | 110 | 500 | 610 |
| ESC(V)200-105 | 200 | 150 | 600 | 500 | 300 | 370 | 400 | 990 | 1080 | 450 | 780 | 580 | 100 | 746 | 700 | 55 | 110 | 500 | 840 |
| ESC(V)250-30 | 250 | 200 | 450 | 450 | 240 | 285 | 400 | 990 | 1080 | 450 | 780 | 580 | 200 | 606 | 560 | 55 | 110 | 500 | 620 |
| ESC(V)250-52 | 250 | 200 | 500 | 500 | 240 | 310 | 400 | 990 | 1080 | 450 | 780 | 580 | 200 | 606 | 560 | 55 | 110 | 500 | 710 |
| ESC(V)250-91 | 250 | 200 | 600 | 500 | 300 | 370 | 460 | 1155 | 1314 | 535 | 958 | 666 | 200 | 770 | 700 | 65 | 140 | 500 | 1580 |
| ESC(V)250-150 | 250 | 200 | 650 | 550 | 350 | 280 | 476 | 1171 | 1314 | 535 | 958 | 666 | 200 | 770 | 700 | 65 | 140 | 500 | 1580 |
| ESC(V)300-39 | 300 | 250 | 500 | 500 | 300 | 330 | 460 | 1155 | 1314 | 535 | 958 | 666 | 200 | 770 | 700 | 65 | 140 | 500 | 1270 |
| ESC(V)300-66 | 300 | 250 | 550 | 550 | 300 | 482 | 536 | 1290 | 1354 | 602 | 1030 | 733 | 200 | 770 | 700 | 75 | 140 | 500 | 1450 |
| ESC(V)300-116 | 300 | 250 | 650 | 550 | 350 | 475 | 536 | 1290 | 1354 | 602 | 1030 | 733 | 200 | 770 | 700 | 75 | 140 | 500 | 1900 |
| ESC(V)350-24 | 350 | 300 | 550 | 500 | 300 | 450 | 460 | 1155 | 1314 | 535 | 958 | 666 | 200 | 770 | 700 | 65 | 140 | 500 | 1200 |
| ESC(V)400-53 | 400 | 300 | 650 | 550 | 350 | 345 | 536 | 1290 | 1354 | 602 | 1030 | 733 | 200 | 770 | 700 | 70 | 140 | 500 | 1650 |
| ESC(V)400-32 | 400 | 350 | 650 | 550 | 350 | 420 | 536 | 1290 | 1354 | 602 | 1030 | 733 | 200 | 770 | 700 | 75 | 140 | 500 | 1500 |
| ESC(V)400-70 | 400 | 350 | 700 | 650 | 400 | 540 | 635 | 1495 | 1500 | 711 | 1198 | 819 | 200 | 1025 | 950 | 85 | 175 | 500 | 1580 |
| ESC(V)400-94 | 400 | 300 | 700 | 650 | 350 | 430 | 580 | 1140 | 1500 | 711 | 1198 | 819 | 200 | 1025 | 950 | 85 | 175 | 500 | 1860 |
| ESC(V)450-43 | 450 | 400 | 750 | 650 | 400 | 465 | 645 | 1505 | 1500 | 711 | 1198 | 819 | 200 | 1025 | 950 | 85 | 175 | 500 | 1690 |

ESC - Outline Dimension Drawing (without base plate)

Note :

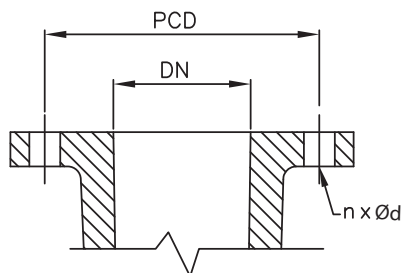
Rotation Clockwise view from drive end



Flange Dimension - PN16 & PN25

| Standard | | DN80 | | | DN100 | | | DN125 | | | DN150 | | | DN200 | | |
|-----------|------|------|---|------|-------|---|------|-------|---|------|-------|---|----|-------|----|----|
| | | PCD | n | Ød | PCD | n | Ød | PCD | n | Ød | PCD | n | Ød | PCD | n | Ød |
| ISO7005/2 | PN16 | 160 | 8 | 17.5 | 180 | 8 | 17.5 | 210 | 8 | 17.5 | 240 | 8 | 22 | 295 | 12 | 22 |
| DIN2501 | PN25 | 160 | 8 | 17.5 | 190 | 8 | 22 | 220 | 8 | 26 | 250 | 8 | 26 | 310 | 12 | 26 |

| Standard | | DN250 | | | DN300 | | | DN350 | | | DN400 | | | DN450 | | |
|-----------|------|-------|----|----|-------|----|----|-------|----|----|-------|----|----|-------|----|----|
| | | PCD | n | Ød | PCD | n | Ød | PCD | n | Ød | PCD | n | Ød | PCD | n | Ød |
| ISO7005/2 | PN16 | 355 | 12 | 26 | 410 | 12 | 26 | 470 | 16 | 26 | 525 | 16 | 30 | 585 | 20 | 30 |
| DIN2501 | PN25 | 370 | 12 | 30 | 430 | 16 | 30 | 490 | 16 | 33 | 550 | 16 | 36 | | | |



ESC - Installation Dimension (without base plate)

| Pump Size | Flange | | Dimension | | | | | | | | | | | | | | | Shaft | | Weight |
|------------|--------|-----|-----------|-----|-----|-----|-----|-------|-----|---------|-----|-----|-----|-----|-----|------|----|-------|-----|--------|
| | DN1 | DN2 | B1 | B | L1 | L2 | H1 | H2 | H3 | n3-d3 | L5 | L4 | L3 | B4 | B3 | B2 | S | d | L | KG |
| ESC125-13 | 125 | 80 | 300 | 300 | 315 | 415 | 315 | 276.5 | 175 | 4-Ø18.5 | 210 | 270 | 320 | 270 | 340 | 410 | 32 | 35 | 70 | 260 |
| ESC125-14 | 125 | 80 | 300 | 300 | 315 | 415 | 315 | 276.5 | 175 | 4-Ø18.5 | 210 | 270 | 320 | 270 | 340 | 410 | 32 | 35 | 70 | 260 |
| ESC125-21 | 125 | 80 | 300 | 300 | 315 | 415 | 315 | 268 | 175 | 4-Ø18.5 | 210 | 270 | 320 | 270 | 340 | 410 | 32 | 35 | 70 | 260 |
| ESC125-22 | 125 | 80 | 300 | 300 | 315 | 415 | 315 | 268 | 175 | 4-Ø18.5 | 210 | 270 | 320 | 270 | 340 | 410 | 32 | 35 | 70 | 260 |
| ESC125-35 | 125 | 80 | 330 | 330 | 315 | 415 | 315 | 311.5 | 175 | 4-Ø18.5 | 210 | 270 | 320 | 270 | 340 | 410 | 32 | 35 | 70 | 290 |
| ESC125-39 | 125 | 80 | 330 | 330 | 315 | 415 | 315 | 311.5 | 175 | 4-Ø18.5 | 210 | 270 | 320 | 270 | 340 | 410 | 32 | 35 | 70 | 290 |
| ESC125-51 | 125 | 80 | 300 | 300 | 315 | 415 | 315 | 276.5 | 175 | 4-Ø18.5 | 210 | 270 | 320 | 270 | 340 | 410 | 32 | 35 | 70 | 260 |
| ESC125-55 | 125 | 80 | 300 | 300 | 315 | 415 | 315 | 276.5 | 175 | 4-Ø18.5 | 210 | 270 | 320 | 270 | 340 | 410 | 32 | 35 | 70 | 260 |
| ESC125-82 | 125 | 80 | 300 | 300 | 315 | 415 | 315 | 268 | 175 | 4-Ø18.5 | 210 | 270 | 320 | 270 | 340 | 410 | 32 | 35 | 70 | 280 |
| ESC125-90 | 125 | 80 | 300 | 300 | 315 | 415 | 315 | 268 | 175 | 4-Ø18.5 | 210 | 270 | 320 | 270 | 340 | 410 | 32 | 35 | 70 | 280 |
| ESC150-17 | 150 | 100 | 330 | 330 | 315 | 415 | 355 | 273 | 185 | 4-Ø18.5 | 210 | 270 | 320 | 330 | 400 | 470 | 28 | 35 | 70 | 310 |
| ESC150-19 | 150 | 100 | 330 | 330 | 315 | 415 | 355 | 273 | 185 | 4-Ø18.5 | 210 | 270 | 320 | 330 | 400 | 470 | 28 | 35 | 70 | 310 |
| ESC150-29 | 150 | 100 | 330 | 330 | 315 | 415 | 355 | 315 | 185 | 4-Ø18.5 | 210 | 270 | 320 | 330 | 400 | 470 | 32 | 35 | 70 | 310 |
| ESC150-31 | 150 | 100 | 330 | 330 | 315 | 415 | 355 | 315 | 185 | 4-Ø18.5 | 210 | 270 | 320 | 330 | 400 | 470 | 32 | 35 | 70 | 310 |
| ESC150-51 | 150 | 100 | 370 | 370 | 315 | 415 | 355 | 346.5 | 185 | 4-Ø20 | 210 | 270 | 320 | 330 | 400 | 470 | 32 | 35 | 70 | 310 |
| ESC150-52 | 150 | 100 | 370 | 370 | 315 | 415 | 355 | 346.5 | 185 | 4-Ø20 | 210 | 270 | 320 | 330 | 400 | 470 | 32 | 35 | 70 | 310 |
| ESC150-68 | 150 | 100 | 330 | 330 | 315 | 415 | 355 | 273 | 185 | 4-Ø18.5 | 210 | 270 | 320 | 330 | 400 | 470 | 28 | 35 | 70 | 300 |
| ESC150-75 | 150 | 100 | 330 | 330 | 315 | 415 | 355 | 273 | 185 | 4-Ø18.5 | 210 | 270 | 320 | 330 | 400 | 470 | 28 | 35 | 70 | 300 |
| ESC150-119 | 150 | 100 | 330 | 330 | 381 | 515 | 355 | 315 | 185 | 4-Ø18.5 | 210 | 270 | 320 | 330 | 400 | 470 | 36 | 45 | 100 | 380 |
| ESC150-123 | 150 | 100 | 330 | 330 | 381 | 515 | 355 | 315 | 185 | 4-Ø18.5 | 210 | 270 | 320 | 330 | 400 | 470 | 36 | 45 | 100 | 380 |
| ESC200-14 | 200 | 125 | 370 | 370 | 381 | 515 | 400 | 288 | 200 | 4-Ø23 | 250 | 340 | 390 | 370 | 450 | 530 | 36 | 45 | 100 | 430 |
| ESC200-15 | 200 | 125 | 370 | 370 | 381 | 515 | 400 | 288 | 200 | 4-Ø23 | 250 | 340 | 390 | 370 | 450 | 530 | 36 | 45 | 100 | 430 |
| ESC200-20 | 200 | 150 | 400 | 400 | 381 | 515 | 400 | 323 | 200 | 4-Ø24 | 250 | 340 | 390 | 370 | 450 | 530 | 36 | 45 | 100 | 460 |
| ESC200-21 | 200 | 150 | 400 | 400 | 381 | 515 | 400 | 323 | 200 | 4-Ø24 | 250 | 340 | 390 | 370 | 450 | 530 | 36 | 45 | 100 | 460 |
| ESC200-25 | 200 | 125 | 370 | 370 | 381 | 515 | 400 | 308 | 200 | 4-Ø23 | 250 | 340 | 390 | 370 | 450 | 530 | 36 | 45 | 100 | 420 |
| ESC200-27 | 200 | 125 | 370 | 370 | 381 | 515 | 400 | 308 | 200 | 4-Ø23 | 250 | 340 | 390 | 370 | 450 | 530 | 36 | 45 | 100 | 420 |
| ESC200-35 | 200 | 150 | 400 | 400 | 381 | 515 | 400 | 354 | 200 | 4-Ø24 | 250 | 340 | 390 | 370 | 450 | 530 | 36 | 45 | 100 | 480 |
| ESC200-38 | 200 | 150 | 400 | 400 | 381 | 515 | 400 | 354 | 200 | 4-Ø24 | 250 | 340 | 390 | 370 | 450 | 530 | 36 | 45 | 100 | 480 |
| ESC200-43 | 200 | 125 | 370 | 370 | 381 | 515 | 400 | 338 | 200 | 4-Ø23 | 250 | 340 | 390 | 370 | 450 | 530 | 36 | 45 | 100 | 470 |
| ESC200-47 | 200 | 125 | 370 | 370 | 381 | 515 | 400 | 338 | 200 | 4-Ø23 | 250 | 340 | 390 | 370 | 450 | 530 | 36 | 45 | 100 | 470 |
| ESC200-59 | 200 | 125 | 370 | 370 | 381 | 515 | 400 | 288 | 200 | 4-Ø23 | 250 | 340 | 390 | 370 | 450 | 530 | 36 | 45 | 100 | 460 |
| ESC200-60 | 200 | 150 | 450 | 450 | 433 | 590 | 500 | 390 | 300 | 4-Ø23 | 300 | 430 | 480 | 490 | 560 | 630 | 40 | 55 | 110 | 670 |
| ESC200-61 | 200 | 125 | 370 | 370 | 381 | 515 | 400 | 288 | 200 | 4-Ø23 | 250 | 340 | 390 | 370 | 450 | 530 | 36 | 45 | 100 | 460 |
| ESC200-66 | 200 | 150 | 450 | 450 | 433 | 590 | 500 | 390 | 300 | 4-Ø23 | 300 | 430 | 480 | 490 | 560 | 630 | 40 | 55 | 110 | 670 |
| ESC200-69 | 200 | 125 | 450 | 450 | 381 | 515 | 400 | 365 | 200 | 4-Ø23 | 250 | 340 | 390 | 480 | 560 | 630 | 36 | 45 | 100 | 540 |
| ESC200-76 | 200 | 125 | 450 | 450 | 381 | 515 | 400 | 365 | 200 | 4-Ø23 | 250 | 340 | 390 | 480 | 560 | 630 | 36 | 45 | 100 | 540 |
| ESC200-90 | 200 | 150 | 500 | 600 | 433 | 590 | 500 | 456 | 200 | 4-Ø23 | 300 | 430 | 480 | 630 | 700 | 770 | 40 | 55 | 110 | 850 |
| ESC200-100 | 200 | 125 | 370 | 370 | 381 | 515 | 400 | 308 | 200 | 4-Ø23 | 250 | 340 | 390 | 370 | 450 | 530 | 36 | 45 | 100 | 420 |
| ESC200-105 | 200 | 150 | 500 | 600 | 433 | 590 | 500 | 456 | 200 | 4-Ø23 | 300 | 430 | 480 | 630 | 700 | 770 | 40 | 55 | 110 | 850 |
| ESC200-108 | 200 | 125 | 370 | 370 | 381 | 515 | 400 | 308 | 200 | 4-Ø23 | 250 | 340 | 390 | 370 | 450 | 530 | 36 | 45 | 100 | 420 |
| ESC250-28 | 250 | 200 | 450 | 450 | 433 | 590 | 500 | 374 | 260 | 4-Ø23 | 300 | 430 | 480 | 490 | 560 | 630 | 40 | 55 | 110 | 670 |
| ESC250-30 | 250 | 200 | 450 | 450 | 433 | 590 | 500 | 374 | 260 | 4-Ø23 | 300 | 430 | 480 | 490 | 560 | 630 | 40 | 55 | 110 | 670 |
| ESC250-48 | 250 | 200 | 500 | 500 | 433 | 590 | 500 | 396 | 260 | 4-Ø23 | 300 | 430 | 480 | 490 | 560 | 630 | 40 | 55 | 110 | 700 |
| ESC250-52 | 250 | 200 | 500 | 500 | 433 | 590 | 500 | 396 | 260 | 4-Ø23 | 300 | 430 | 480 | 490 | 560 | 630 | 40 | 55 | 110 | 700 |
| ESC250-82 | 250 | 200 | 500 | 600 | 511 | 695 | 600 | 448 | 300 | 4-Ø23 | 320 | 400 | 480 | 600 | 700 | 800 | 45 | 65 | 140 | 1050 |
| ESC250-91 | 250 | 200 | 500 | 600 | 511 | 695 | 600 | 448 | 300 | 4-Ø23 | 320 | 400 | 480 | 600 | 700 | 800 | 45 | 65 | 140 | 1050 |
| ESC250-132 | 250 | 200 | 550 | 650 | 511 | 695 | 600 | 518 | 250 | 4-Ø23 | 320 | 400 | 480 | 600 | 700 | 800 | 32 | 65 | 140 | 1200 |
| ESC250-150 | 250 | 200 | 550 | 650 | 511 | 695 | 600 | 518 | 250 | 4-Ø23 | 320 | 400 | 480 | 600 | 700 | 800 | 32 | 65 | 140 | 1200 |
| ESC300-37 | 300 | 250 | 500 | 500 | 511 | 695 | 600 | 420 | 300 | 4-Ø23 | 320 | 400 | 480 | 600 | 700 | 800 | 45 | 65 | 140 | 1000 |
| ESC300-39 | 300 | 250 | 500 | 500 | 511 | 695 | 600 | 420 | 300 | 4-Ø23 | 320 | 400 | 480 | 600 | 700 | 800 | 45 | 65 | 140 | 1000 |
| ESC300-54 | 300 | 250 | 550 | 550 | 556 | 754 | 670 | 482 | 370 | 4-Ø23 | 440 | 520 | 612 | 600 | 700 | 800 | 45 | 75 | 140 | 1200 |
| ESC300-66 | 300 | 250 | 550 | 550 | 556 | 754 | 670 | 482 | 370 | 4-Ø23 | 440 | 520 | 612 | 600 | 700 | 800 | 45 | 75 | 140 | 1200 |
| ESC300-104 | 300 | 250 | 550 | 650 | 556 | 754 | 670 | 485 | 320 | 4-Ø23 | 440 | 520 | 612 | 600 | 700 | 800 | 32 | 75 | 140 | 1400 |
| ESC300-116 | 300 | 250 | 550 | 650 | 556 | 754 | 670 | 485 | 320 | 4-Ø23 | 440 | 520 | 612 | 600 | 700 | 800 | 32 | 75 | 140 | 1400 |
| ESC350-23 | 350 | 300 | 500 | 550 | 511 | 695 | 600 | 450 | 300 | 4-Ø23 | 320 | 400 | 480 | 600 | 700 | 800 | 45 | 65 | 140 | 1000 |
| ESC350-24 | 350 | 300 | 500 | 550 | 511 | 695 | 600 | 450 | 300 | 4-Ø23 | 320 | 400 | 480 | 600 | 700 | 800 | 45 | 65 | 140 | 1000 |
| ESC400-31 | 400 | 350 | 550 | 650 | 556 | 754 | 670 | 505 | 320 | 4-Ø23 | 440 | 520 | 612 | 600 | 700 | 800 | 48 | 75 | 140 | 1400 |
| ESC400-32 | 400 | 350 | 550 | 650 | 556 | 754 | 670 | 505 | 320 | 4-Ø23 | 440 | 520 | 612 | 600 | 700 | 800 | 48 | 75 | 140 | 1400 |
| ESC400-51 | 400 | 300 | 550 | 650 | 556 | 754 | 670 | 450 | 320 | 4-Ø23 | 440 | 520 | 612 | 600 | 700 | 800 | 48 | 75 | 140 | 1400 |
| ESC400-53 | 400 | 300 | 550 | 650 | 556 | 754 | 670 | 450 | 320 | 4-Ø23 | 440 | 520 | 612 | 600 | 700 | 800 | 48 | 75 | 140 | 1400 |
| ESC400-67 | 400 | 350 | 650 | 700 | 622 | 860 | 750 | 540 | 350 | 4-Ø23 | 420 | 520 | 720 | 850 | 950 | 1050 | 50 | 85 | 175 | 1850 |
| ESC400-70 | 400 | 350 | 650 | 700 | 622 | 860 | 750 | 540 | 350 | 4-Ø23 | 420 | 520 | 720 | 850 | 950 | 1050 | 50 | 85 | 175 | 1850 |
| ESC400-80 | 400 | 300 | 650 | 700 | 622 | 860 | 750 | 535 | 390 | 4-Ø23 | 450 | 520 | 610 | 850 | 950 | 1050 | 50 | 85 | 175 | 1800 |
| ESC400-94 | 400 | 300 | 650 | 700 | 622 | 860 | 750 | 535 | 390 | 4-Ø23 | 450 | 520 | 610 | 850 | 950 | 1050 | 50 | 85 | 175 | 1800 |
| ESC400-139 | 400 | 300 | 650 | 700 | 622 | 860 | 750 | 594 | 350 | 4-Ø23 | 420 | 520 | 720 | 850 | 950 | 1050 | 40 | 85 | 175 | 2100 |
| ESC400-160 | 400 | 300 | 650 | 700 | 622 | 860 | 750 | 594 | 350 | 4-Ø23 | 420 | 520 | 720 | 850 | 950 | 1050 | 40 | 85 | 175 | 2100 |
| ESC450-42 | 450 | 400 | 650 | 750 | 622 | 860 | 750 | 545 | 350 | 4-Ø23 | 450 | 520 | 612 | 850 | 950 | 1050 | 50 | 85 | 175 | 1850 |
| ESC450-43 | 450 | 400 | 650 | 750 | 622 | 860 | 7 | | | | | | | | | | | | | |

Your local distributor details:



Euroflo Pumps International Pte Ltd

No.1 Joo Koon Way Singapore 628942 Tel: +65 6861 3836 Fax: +65 6861 3936